

# 700mm dia. Marker Buoy

SL-B700

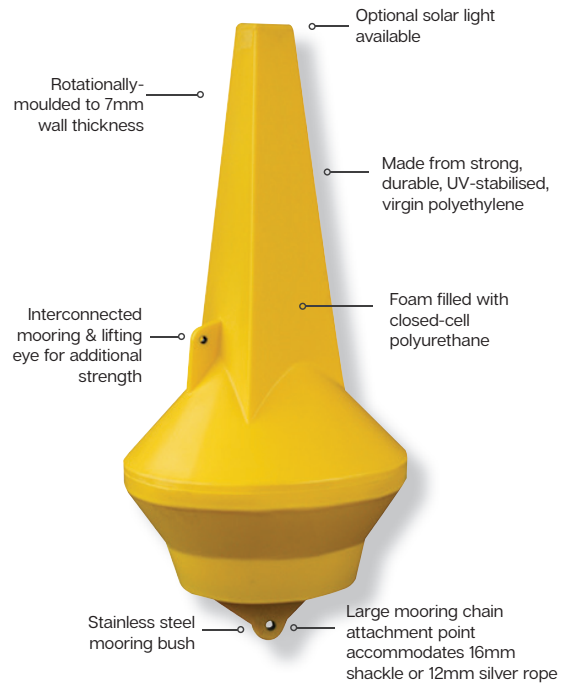
Sealite have a range of mooring chains & accessories - ask your representative today how we can supply your complete mooring solution

**Regulatory Style Available**



**Environmentally Friendly & Recyclable**

Sealite buoy products are made from recyclable materials. As a service to customers, individual components and products at the end of their service life may be returned to Sealite for recycling.



The SL-B700 is a short-range buoy ready for immediate installation. Typical applications include day and night channel, speed zone, restricted area marking and aquaculture.

The SL-B700 is extremely long-lasting, and is moulded in strong, durable, UV-stabilised polyethylene. A large mooring chain attachment point accommodates a 16mm shackle or 12mm silver rope.

The SL-B700 incorporates an interconnected mooring and lifting eye for additional strength and flexibility in installation. The top section has 3 threaded studs, moulded into the buoy to enable easy mounting of either the SL-15, SL-60 or SL-70 1-3NM+ solar lights.

The SL-B700 can be economically shipped around the globe, with approximately 105pcs and 210pcs being packed in 20ft and 40ft shipping containers respectively.

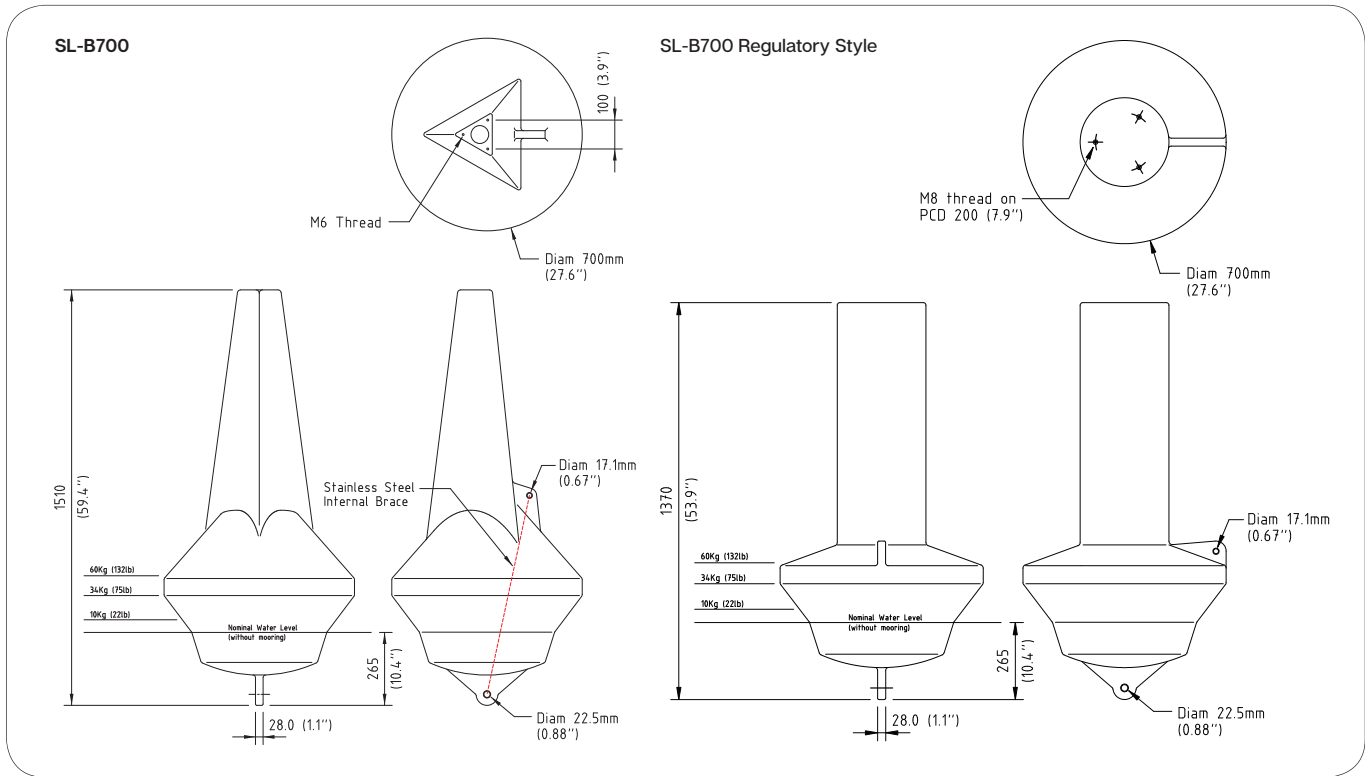


## The Sealite Advantage

- High visibility red, green, white or yellow as per IALA recommendations
- Range of mooring equipment & chain available
- Excellent buoyancy & stability
- Mould-in graphics to suit customer requirements



## Technical Illustrations



## Technical Specifications\*

SL-B700	
<b>General Characteristics</b>	
<b>Available Colours</b>	Red, Green, White, Yellow as per IALA Recommendations
<b>Focal Plane Height (mm/inches)</b>	1305 / 51 3/4
<b>Total Float Volume (Itrs/US gallon)</b>	170 / 45
<b>Nominal Freeboard (mm/inches)</b>	408 / 16
<b>Nominal Draft (mm/inches)</b>	223 / 8 7/8
<b>Total Reserve Buoyancy (kgs/lbs)</b>	132 / 291
<b>Operational Buoyancy (kgs/lbs)</b>	60 / 132
<b>Maximum Mooring Load (kgs/lbs)</b>	60 / 132
<b>Draft, Maximum (mm/inches)</b>	470 / 18 1/2
<b>Freeboard, Minimum (mm/inches)</b>	160 / 6 3/4
<b>Safe Working Load, 1pt (kg/lbs)</b>	135 / 298
<b>Submergence (kg/cm, lb/inches)</b>	3.8 / 21.6
<b>Physical Characteristics</b>	
<b>Material</b>	Rotationally-moulded UV-stabilised virgin polyethylene
<b>Wall Thickness (mm/inches)</b>	7 / 1/4
<b>Ballast (kg/lbs)</b>	20 / 44 internal concrete
<b>Filling</b>	Closed-cell polyurethane foam
<b>Height (mm/inches)</b>	1510 / 59 3/8
<b>Width (mm/inches)</b>	700 / 27 1/2
<b>Mass (kg/lbs)</b>	38 / 84
<b>Product Life Expectancy</b>	Up to 12 years ^
<b>Certifications</b>	
<b>Quality Assurance</b>	ISO9001:2015
<b>Intellectual Property</b>	
<b>IALA</b>	Surface colours compliant to IALA E-108
<b>Trademarks</b>	SEALITE® is a registered trademark of Sealite Pty Ltd
<b>Warranty *</b>	1 year
<b>Lantern Options</b>	Sealite SL-15, SL-60 or SL-70 lantern
<b>Options Available</b>	<ul style="list-style-type: none"> <li>• Custom signage</li> <li>• Regulatory Style</li> </ul>



Optional  
Mould-in Graphics  
Available

We believe technology improves navigation™



Sealite Pty Ltd  
Australia  
☎ +61 (0)3 5977 6128

Sealite Asia Pte Ltd  
Singapore  
☎ +65 6829 2243

Sealite United Kingdom Ltd  
UK  
☎ +44 (0) 1502 588026

Sealite USA LLC  
USA  
☎ +1 (603) 737 1311



\* Specifications subject to change or variation without notice  
 ^ Refer to the Sealite website under the warranty section  
 \* Subject to standard terms and conditions  
 † Intensity setting subject to solar availability

