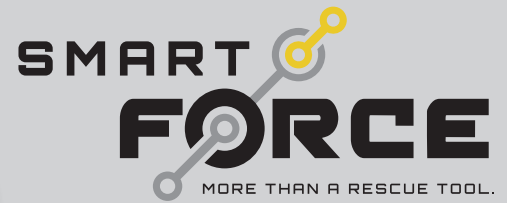


# Cutter RSC 200 PLUS SMART-FORCE

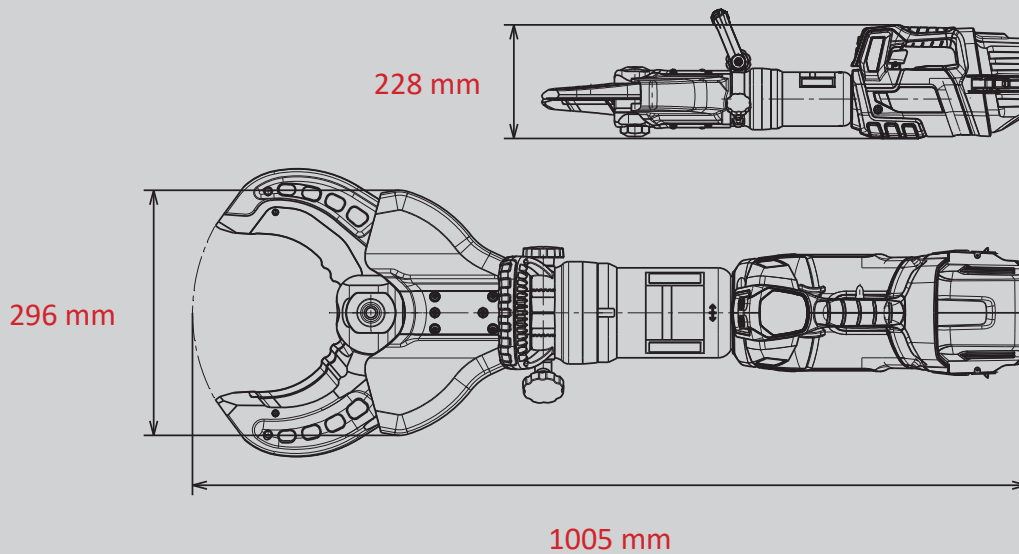
Part no.  
**1101552**



- SMOOTH CUT
- 360° HANDLE
- 18V BATTERY
- PLUS
- POW3R PUMP
- LED LIGHTS
- CONNECT
- UNDERWATER
- FORGED
- X-CHANGE

## Technical data:

Opening width	202 mm
Weight (ready to use)	26.9 kg
Dimensions (LxWxH)	1005 x 296 x 228 mm
Nominal pressure	700 bar
EN cutting class (EN 13204)	CC202K-26,9
EN cutting performance (EN 13204)	1K-2K-3K-4K-5K
NFPA cutting class (NFPA 1936)	A9-B9-C9-D9-E9-F5



Images are non-binding. We reserve the right to technical modifications.  
01/2025A